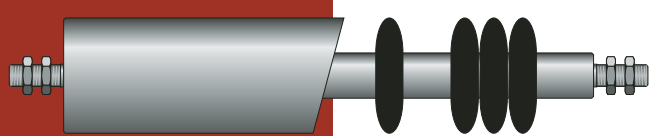
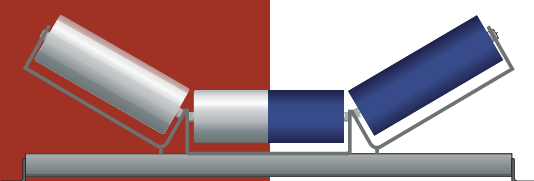
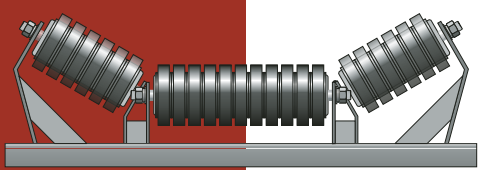
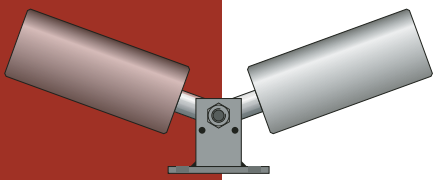
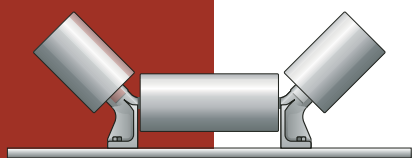
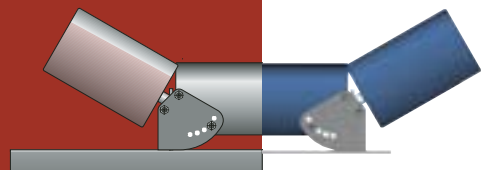
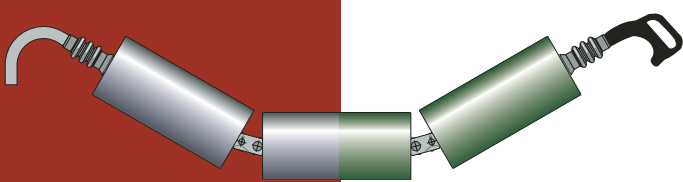
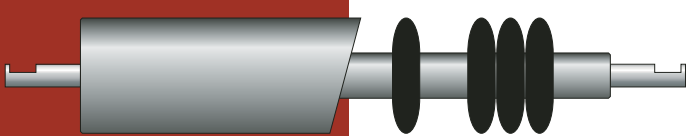
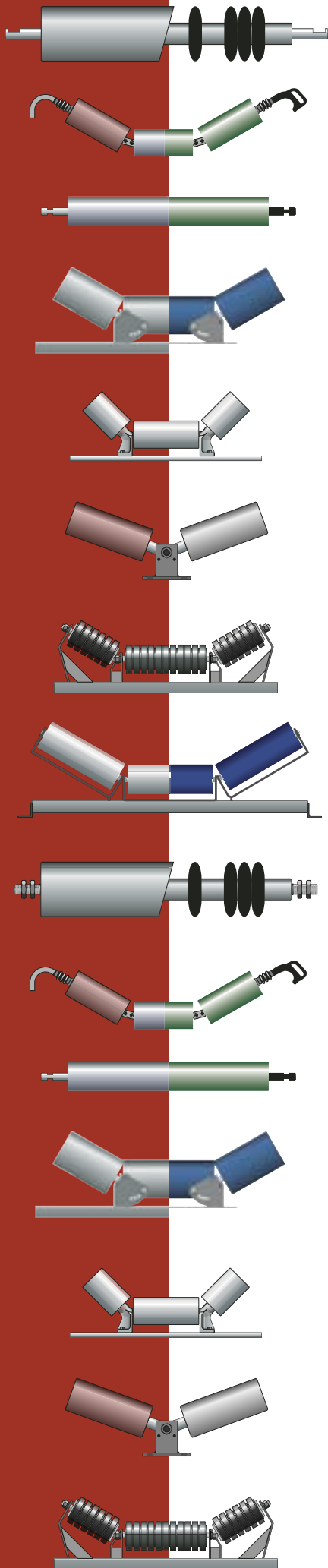


canning conveyor rollers and troughing sets



Canning Conveyor



Contents

Page

1	Canning Idlers Technical Information
2	Adjustable Angle Troughing Sets & Return Idlers
3	Fixed Angle Troughing Sets & Return Idlers
4	Cast Bracket Troughing Sets & Return Idlers
5	Impact Idler Troughing Sets & Disc Return Idlers
6	New Field Conveyor Suspended Idlers / Return Idlers
7	Two Roll Idlers / Belt Guide Rollers / Brackets for Idlers
8	Canning High Density Polymer Rollers
9	HPD Adjustable, Fixed Angle Sets & Return Idlers
10	Canning Belt Tracking Discs / Self Aligning Idlers & Rollers
11	New Field Conveyor HPD Suspended Idlers / Return Idlers & Steel Structures
12	Replacement Roller Form



Canning Conveyor

Putting our Customers First...
...Over 40 Years Experience and Commitment

Since our foundation in 1965, our family firm has been committed to a simple philosophy: to supply the best possible equipment, with the best possible service, at the fairest possible price.

In short, to give you, our customer, the best deal.

Putting our customer first is our commitment and your assurance. Our private company is focused on the needs of your business, and nothing else.

With our heavy investment in machinery and stock, we can offer you the choice second to none - and all covered by the Canning Conveyor commitment to service!

Complementing our other publications; Cannoflex Conveyor Belting, Engineering and Bulk Handling Brochures, regular issues of Canning News including plant list, Film and TV Construction. Here is our new updated Rollers and Troughing Sets brochure, featuring our range of idlers, rollers and accessories. Included within this updated brochure are our new field conveyor suspended idlers and returns in HPD (High Density Polymer) and steel, Canning's own HPD rollers and tracking devices which include, Canning Belt Tracking Disc, belt guide rollers and steering idlers / return rollers.

Canning Idlers

Canning idlers are manufactured to the highest quality standards in the UK. to ensure accuracy of finish & long life.

Deep drawn housings & tube to BS6323 part 1 come together on auto-concentric, double-ended welding machines to give good balance & trueness which in turn permits high speeds without excessive vibration.

Zinc plated end caps cover a multi-labyrinth sealing arrangement which protects the precision bearing, and to ensure permanent lubrication a rear seal is fitted encapsulating the grease within the bearing area. This arrangement blocks ingress of materials and affords good protection from condensation.

Canning supply idlers to any specification including ISO, BS, NBC, CEMA, and DIN and variety of diameters & lengths. With our replacement idler service we can recognise and cater for all types & sizes available on the market today. Shafts are machined for any fitment.

Transomes are manufactured from mild steel and jig welded for accuracy. All types of variable and fixed angle types are available in many belt widths; 2, 3, 4, & 5 roll sets can be manufactured to your dimensions. If that which you require is not in this brochure, please do not hesitate to contact us to discuss further your requirements.

You can obtain details about the "manufacturing process" of our rollers, either by visiting our website, clicking on Technical Data under rollers or by contacting our Roller Sales to request a data sheet.

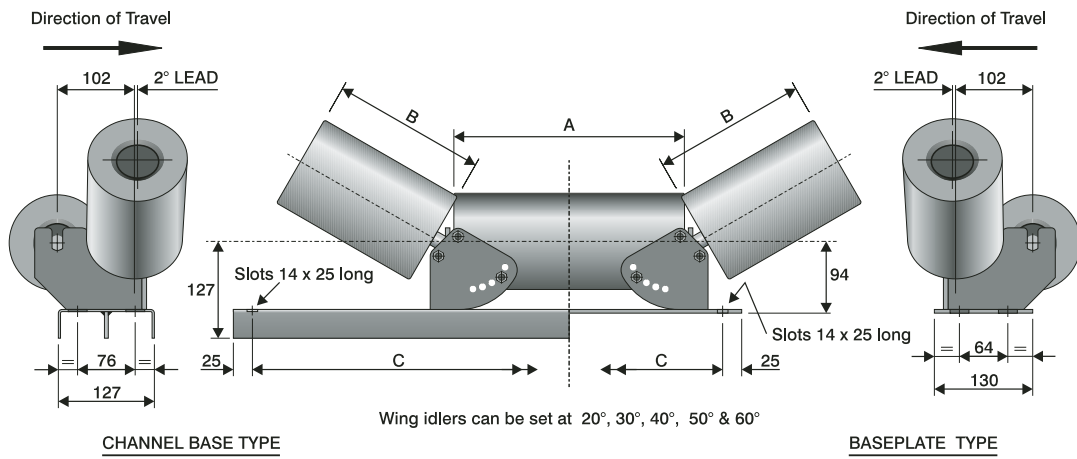


Material Specification

Tubes:	To BS 6323 Part 5 ERW1 / DIN2394 Material - St 37 DIN 17100 (63/76/89/102/108/127/133/159 Dia)
Shafts:	To BS 970 Material - 230M07 Free Cutting
Housing:	Cold pressed and calibrated to ISO M7 tolerances Material - Steel for Deep Drawing DIN 1623/1624
Bearing Assembly:	Rear Lip Seal - Material ISO PA6 (Nylon 6) Bearing - Deep Groove Precision Ball Bearings (6204/6205/6305/6206/6306/6308) Triple Lip Labyrinth - Material ISO PA6 (Nylon 6) Circlip - Heavy Duty Cover Cap - Cold Pressed Deep Drawn Steel to DIN 1623/1624 and Zinc Plated
Lubrication:	Permanent for roller life - Lithium grease NLGI Grade 2 or 3
Protection:	Single coat of quick drying grey primer paint

There are many other variations that are available to suit specific applications such as:

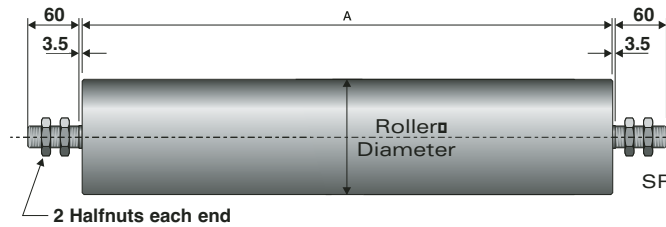
- Different paint finishes, powder coating or zinc plating
- Rubber Impact, Rubber Disc Returns or Rubber Spiral Disc Returns
- Vulcanised Rubber Covering to various thickness and hardness
- Gravity Rollers



Belt Width mm	A mm	B mm	C, Hole Centres mm		102mm Dia Ref		127mm Dia Ref		121mm Dia R/C Ref	
			Channel	Baseplate	Channel	Baseplate	Channel	Baseplate	Channel	Baseplate
300	152	127	584	254	D12C	D12B				
350	152	127	584	254	D14C	D14B				
400	152	178	635	305	D16C	D16B	E16C	E16B	R16C	R16B
450	203	178	686	305	D18C	D18B	E18C	E18B	R18C	R18B
500	203	203	737	330	D20C	D20B	E20C	E20B	R20C	R20B
600	305	203	838	406	D24C	D24B	E24C	E24B	R24C	R24B
650	356	203	889	483	D26C	D26B	E26C	E26B	R26C	R26B
750	356	254	991	483	D30C	D30B	E30C	E30B	R30C	R30B
800	406	254	1041	533	D32C	D32B	E32C	E32B	R32C	R32B
900	508	254	1143	635	D36C	D36B	E36C	E36B	R36C	R36B
1000	558	279	1240	685	D40C	D40B	E40C	E40B	R40C	R40B

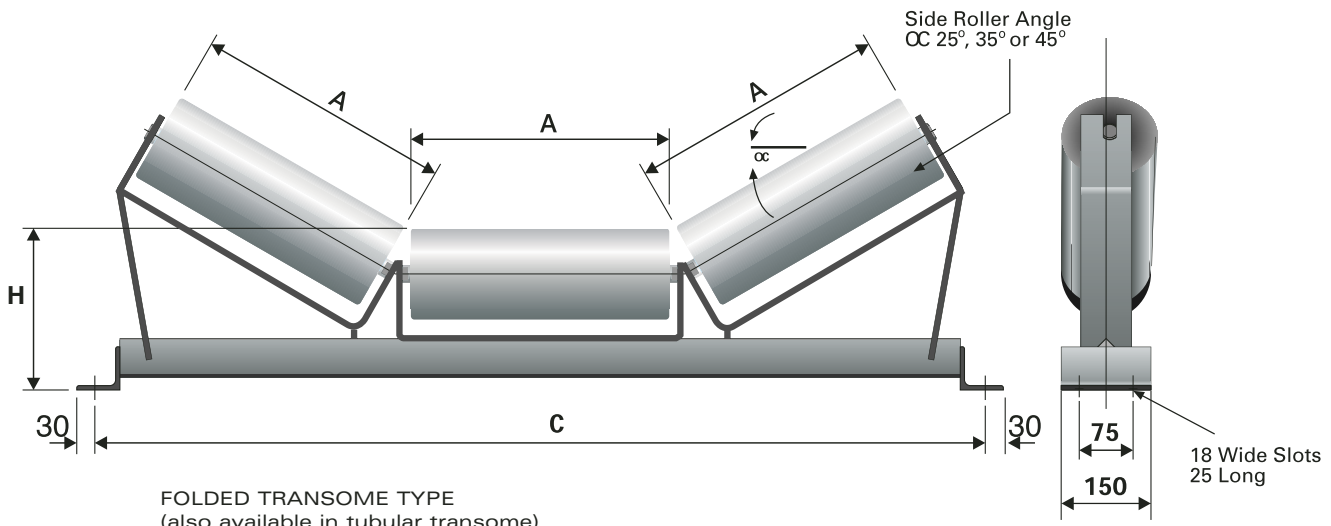
Below are sizes and references for 4 Roll Variable Angle Sets

1050	305	254	1295	813	D42C	D42B	E42C	E42B	R42C	R42B
1200	406	254	1448	1016	D48C	D48B	E48C	E48B	R48C	R48B
1400	457	254	1600	1118	D54B	E54B	E54C	E54B	R54C	R54B
1500	559	254	1753	1321	D60C	D60B	E60C	E60B	R60C	R60B



SPINDLE UP TO 102 Dia - M20
127 Dia - M24

Belt Width mm	A mm	63mm Dia	76mm Dia	102mm Dia	127mm Dia	121 Dia R/C
250	330	CB10				
300	432	CB12	CC12	CD12	CE12	CR12
350	432	CB12	CC12	CD12	CE12	CR12
400	483	CB16	CC16	CD16	CE16	CR16
450	533	CB18	CC18	CD18	CE18	CR18
500	584	CB20	CC20	CD20	CE20	CR20
600	686	CB24	CC24	CD24	CE24	CR24
650	737	CB26	CC26	CD26	CE26	CR26
750	838	CB30	CC30	CD30	CE30	CR30
800	889	CB32	CC32	CD32	CE32	CR32
900	991	CB36	CC36	CD36	CE36	CR36
1000	1092	CB40	CC40	CD40	CE40	CR40
1050	1143			CD42	CE42	CR42
1200	1295			CD48	CE48	CR48
1400	1448			CD54	CE54	CR54
1500	1600			CD60	CE60	CR60

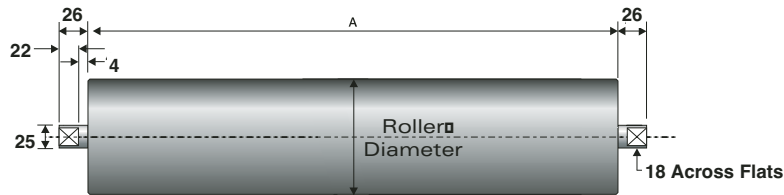


FOLDED TRANSOME TYPE
(also available in tubular transome)

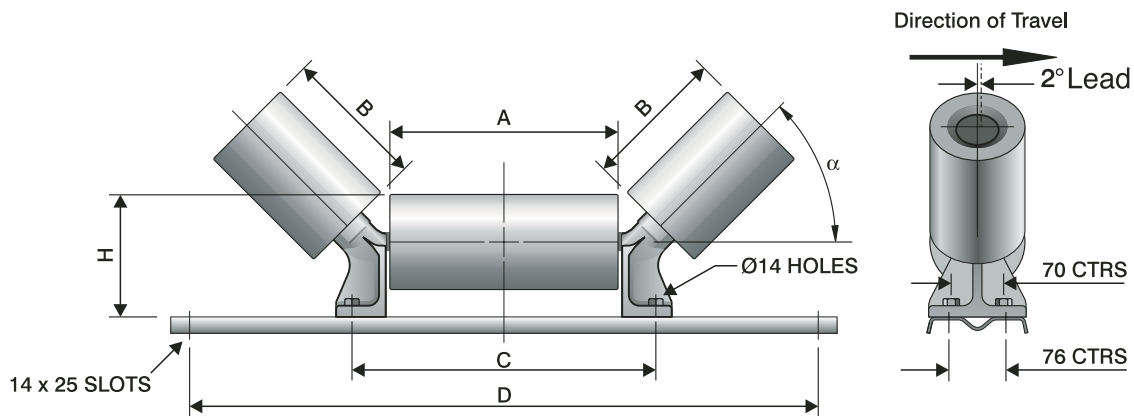
B= 75mm (from 400mm - 1050mm Belt);
100mm (from 1200mm - 2000mm Belt); W=B+50mm

Transome Type: F=Folded T=Tubular
RC=Rubber Covered

Belt Width mm	A mm	B mm	C mm	102mm Dia		127mm Dia		121mm Dia R/C	
				Ref	H mm	Ref	H mm	Ref	H mm
400	160	75	640	CDF400	200	CEF400	225	CRF400	222
500	200	75	740	CDF500	200	CEF500	225	CRF500	222
600	240	75	840	CDF600	200	CEF600	225	CRF600	222
650	250	75	890	CDF650	200	CEF650	225	CRF650	222
750	295	75	990	CDF750	200	CEF750	225	CRF750	222
800	315	75	1040	CDF800	200	CEF800	225	CRF800	222
900	350	75	1140	CDF900	200	CEF900	225	CRF900	222
1000	380	75	1240	CDF1000	200	CEF1000	225	CRF1000	222
1050	410	75	1300	CDF1050	200	CEF1050	225	CRF1050	222
1200	465	100	1450	CDF1200	215	CEF1200	240	CRF1200	237
1350	530	100	1650	CDF1350	215	CEF1350	240	CRF1350	237
1400	530	100	1700	CDF1400	215	CEF1400	240	CRF1400	237
1500	575	100	1800	CDF1500	215	CEF1500	240	CRF1500	237
1600	600	100	1900	CDF1600	215	CEF1600	240	CRF1600	237



Belt Width mm	A mm	Reference Nos.		
		102mm Dia Rollers	127mm Dia Rollers	121mm Dia Rollers R/C
400	500	CDP400	CEP400	CRP400
500	600	CDP500	CEP500	CRP500
600	700	CDP600	CEP600	CRP600
650	750	CDP650	CEP650	CRP650
750	900	CDP750	CEP750	CRP750
800	950	CDP800	CEP800	CRP800
900	1050	CDP900	CEP900	CRP900
1000	1150	CDP1000	CEP1000	CRP1000
1050	1200	CDP1050	CEP1050	CRP1050
1200	1350	CDP1200	CEP1200	CRP1200
1350	1500	CDP1350-S	CEP1350-S	CRP1350-S
1400	1550	CDP1400-S	CEP1400-S	CRP1400-S
1500	1700	CDP1500-S	CEP1500-S	CRP1500-S
1600	1800	CDP1600-S	CEP1600-S	CRP1600-S



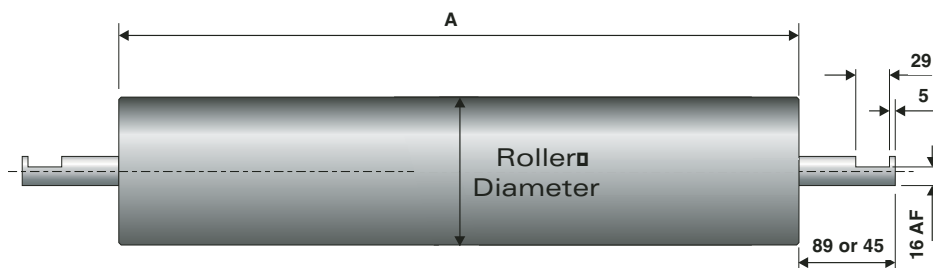
Left hand & right hand 30° & 45° cast brackets plus corrugated transomes are available in all widths

102mm Dia Dimensions

Belt Width mm	A mm	B mm	C mm	D mm	H		102mm Dia Set Ref
					30° mm	45° mm	
450	203	229	305	690	130	143	DAM18
500	203	229	305	740	130	143	DAM20
600	305	229	406	840	130	143	DAM24
650	305	229	406	890	130	143	DAM26
750	381	229	483	990	130	143	DAM30
800	418	229	520	1040	130	143	DAM32
900	533	229	635	1140	130	143	DAM36

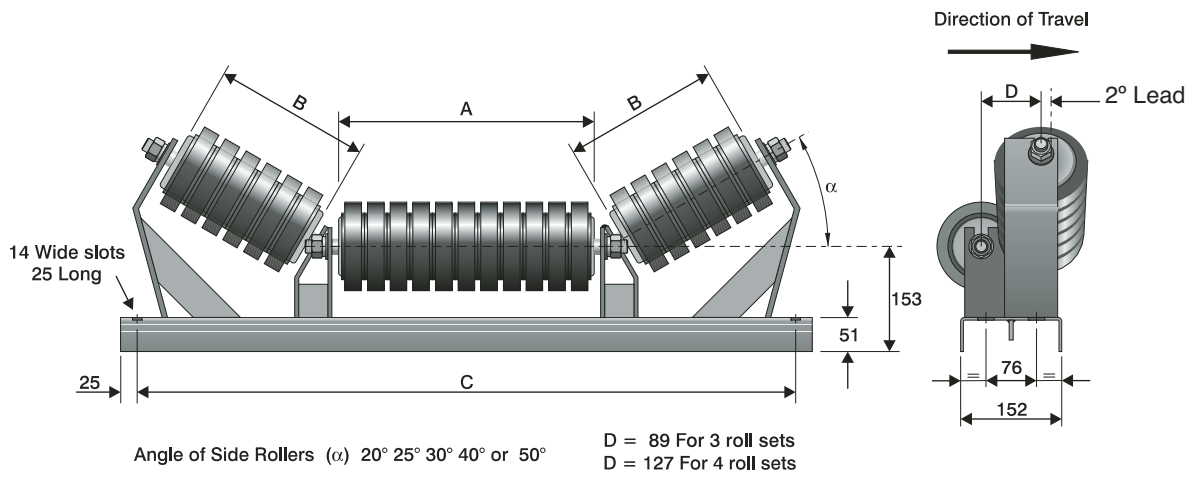
127mm Dia Dimensions

Belt Width mm	A mm	B mm	C mm	D mm	H		127mm Dia Set Ref
					30° mm	45° mm	
450	203	190	305	690	156	168	EAM18
500	229	190	330	740	156	168	EAM20
600	305	190	406	840	156	168	EAM24
650	305	216	406	890	156	168	EAM26
750	381	216	483	990	156	168	EAM30
800	432	216	534	1040	156	168	EAM32
900	533	216	635	1140	156	168	EAM36



For ordering, suffix code with 'L' or 'S'. For long (83) or short (45) spindle extension

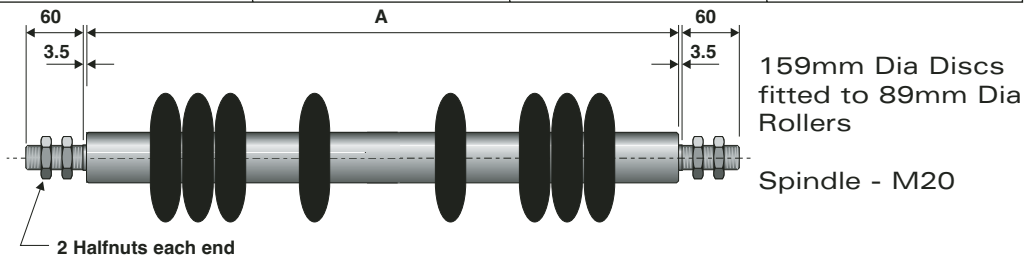
Belt Width mm	A mm	102mm Dia Ref
500	610	AMR20
600	711	AMR24
750	864	AMR30
900	1016	AMR36
1000	1118	AMR40



Belt Width	A	B	C	133mm Dia Ref
mm	mm			
600	235	235	838	IMP24
650	311	235	889	IMP26
750	384	235	991	IMP30
800	460	235	1041	IMP32
900	533	235	1143	IMP36

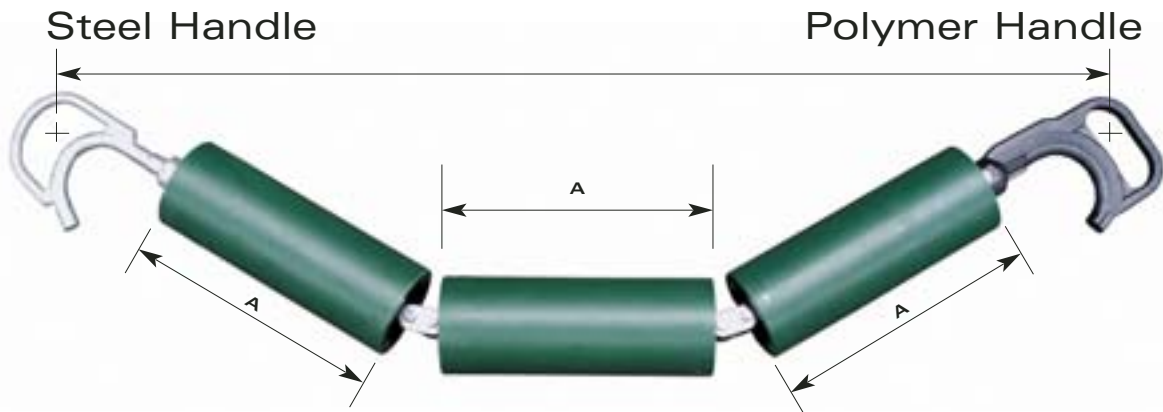
Below are references for 4 roll sets

1000	311	311	1295	IMP42
1050	311	311	1295	IMP42
1200	384	311	1448	IMP48
1400	384	384	1600	IMP54
1500	460	384	1753	IMP60



Belt Width	A	159mm Dia Disc Ref
mm	mm	
300	432	CDISC12
350	432	CDISC12
400	483	CDISC16
450	533	CDISC18
500	584	CDISC20
600	686	CDISC24
650	737	CDISC26
750	838	CDISC30
800	889	CDISC32
900	991	CDISC36
1000	1092	CDISC40
1050	1143	CDISC42
1200	1295	CDISC48
1400	1448	CDISC54
1500	1600	CDISC60

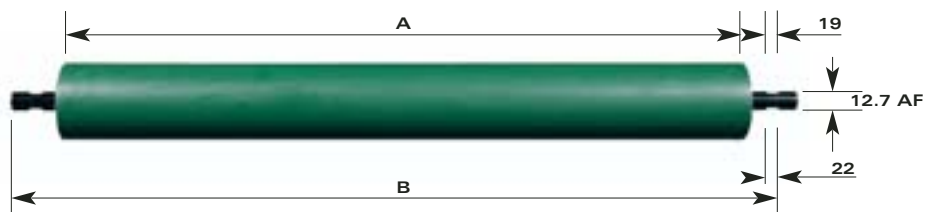
New field conveyor suspended idlers & return rollers



Belt Width mm	A mm	B mm	Polymer 102mm Dia Ref	102mm Dia Ref	127mm Dia Ref
500	190	813	HDP26SI	CDS20	CES20
600	224	889	HDP24SI	CDS24	CES24
650	240	940	HDP26SI	CDS26	CES26
750	280	1041	HDP30SI	CDS30	CES30
800	295	1092	HDP32SI	CDS32	CES32
900	330	1194	HDP36SI	CDS36	CES36
1000	360	1280	HDP40SI	CDS40	CES40
1050	380	1346	HDP42SI	CDS42	CES42
1200	432	1499	HDP48SI	CDS48	CES48

Ref: P/H = Polyhook with handle S/hook = Steel hook S/handle = Steel hook with handle

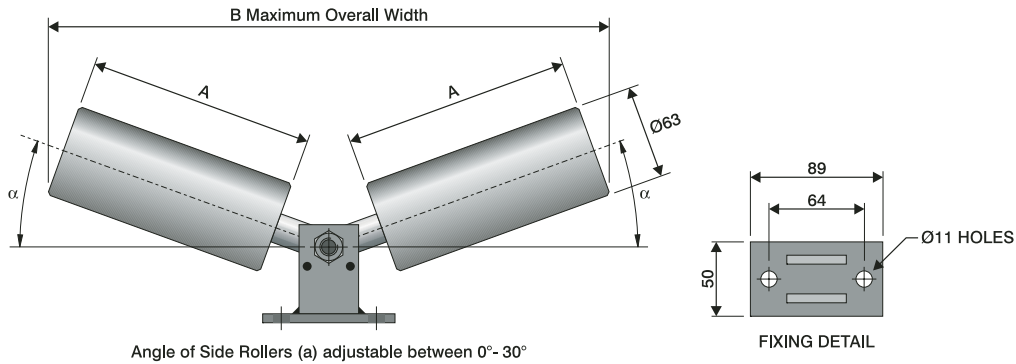
Field Conveyor Return Idler



Belt Width mm	A mm	B mm	Polymer 102mm Dia Ref	102mm Dia Ref	127mm Dia Ref
500	600	784	HDP20RR	DFMR20	EFMR20
600	700	886	HDP24RR	DFMR24	EFMR24
650	750	936	HDP26RR	DFMR26	EFMR26
750	900	1038	HDP30RR	DFMR30	EFMR30
800	950	1090	HDP32RR	DFMR32	EFMR32
900	1050	1190	HDP36RR	DFMR36	EFMR36
1000	1175	1296	HDP40RR	DFMR40	EFMR40
1050	1210	1342	HDP42RR	DFMR42	EFMR42
1200	1360	1496	HDP48RR	DFMR48	EFMR48

Also available with steel roller

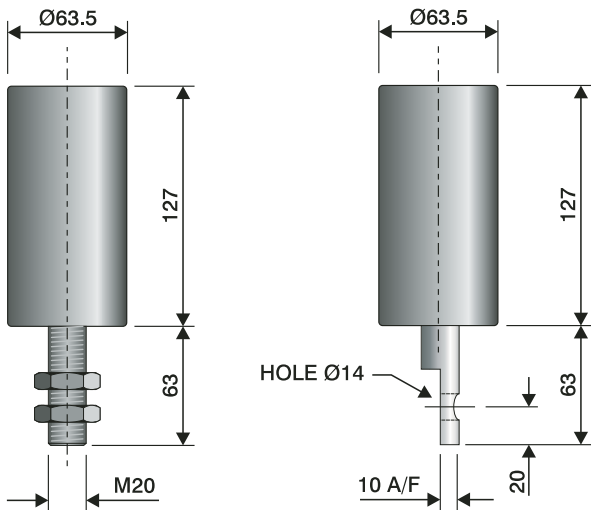
Two Roll Troughing Sets



Angle of Side Rollers (a) adjustable between 0°-30°

Belt Width	A	B	Ref
mm	mm	mm	
250	127	311	C2R10
300	152	362	C2R12
350	178	413	C2R14
400	203	464	C2R16

Belt Guide Rollers

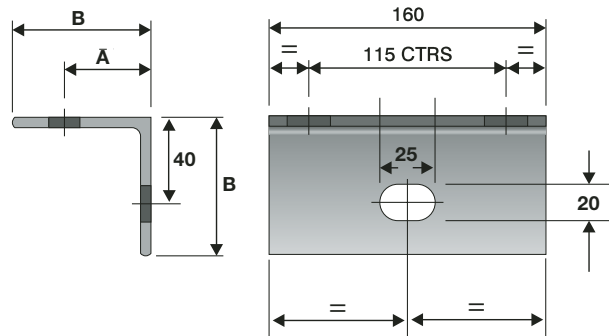


Threaded Shaft
ref CGR1

Milled Shaft
ref CGR2

Brackets for Idlers

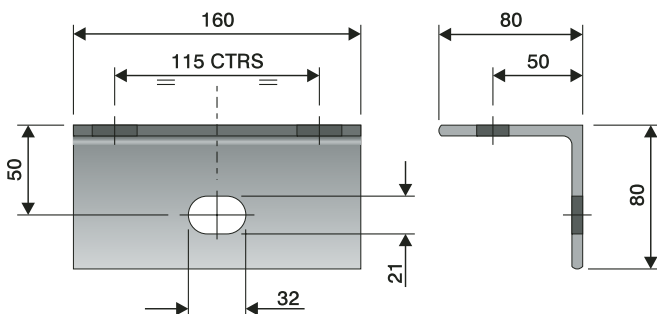
Milled Shafts
(to suit return idlers on page 3)



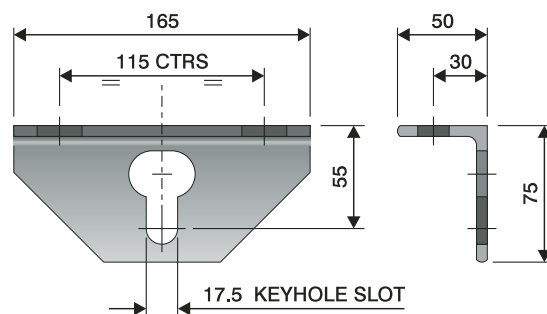
Belt Width	A	B	TYPE
mm	mm	mm	
400 UP TO 750	64	90	N1
750 UP TO 1600	40	70	N2

Brackets for Idlers

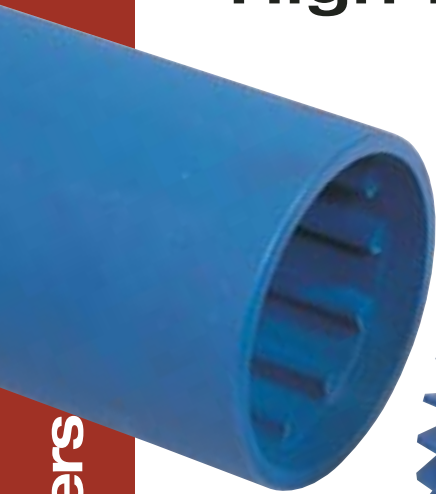
Threaded Shafts
(to suit return idlers on pages 2 and 5)



Milled Shafts
(to suit return idlers on page 4)



High Density Polymer Rollers

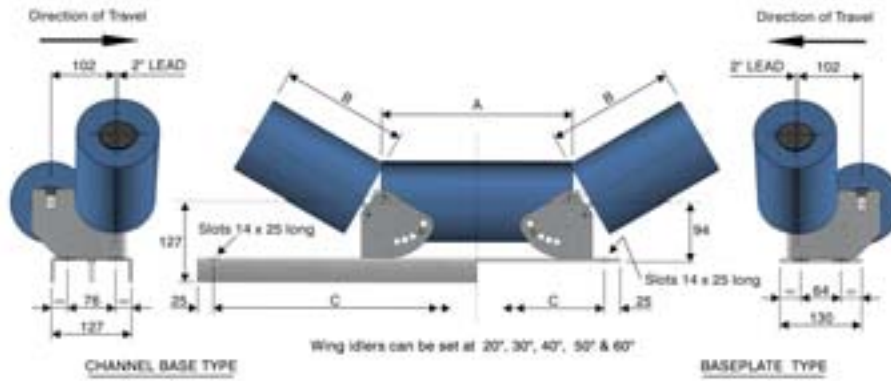


Characteristics of High Density Polymer

- 1. High quality:** The roller shell is manufactured from HDP (High Density Polymer) with impact resistant, acid resistant, anti-corrosion, anti-alkali in chemical character. The roller is assembled well with double cap bearings, in compliance with ISO standards.
- 2. Heavy rigid and high impact performance:** Different from the steel roller, Cannings synthetic roller has good impact and instauration. Strengthened frame offers the synthetic roller the same rigidity as a steel roller.
- 3. Excellent waterproof and anti-dust:** Cannings synthetic roller provides triple bearing protection. Seal rings prevent water and dust from entering into the inside of the roller. Special catchment groove utilising centrifugal force keeps the inside of the roller dry in all weather conditions. The patented triple labyrinth seals offer a 45% higher efficiency of preventing water and dust than traditional labyrinths.
- 4. Higher efficiency:** Ejection body, homogeneous mass, good roundness, minimum rolling factor, durable for high speed operation, power saving, noise free.
- 5. Light weight:** Cannings synthetic roller is 55% lighter than traditional steel roller, suitable for small drive, head pulley and tail pulley, it can save $\frac{1}{4}$ cost for power and equipment cost.
- 6. Low maintenance cost:** Long service life (guarantee for two years under normal operation), no lubrication oil needed, easy replacement, reduce maintenance labour and time to the minimum.
- 7. Specification:**

- Tube	-	102mm diameter x 8mm wall thickness
		127mm diameter x 8mm wall thickness
Shaft	-	Bright drawn mild steel

Variable angle sets

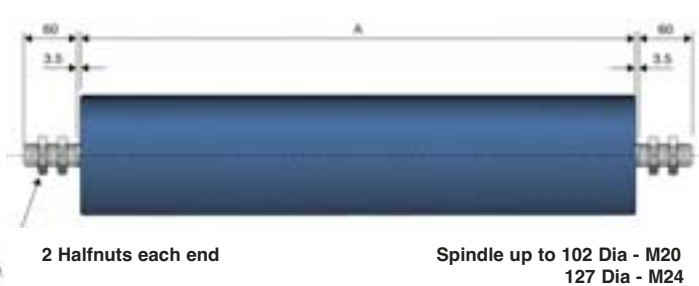
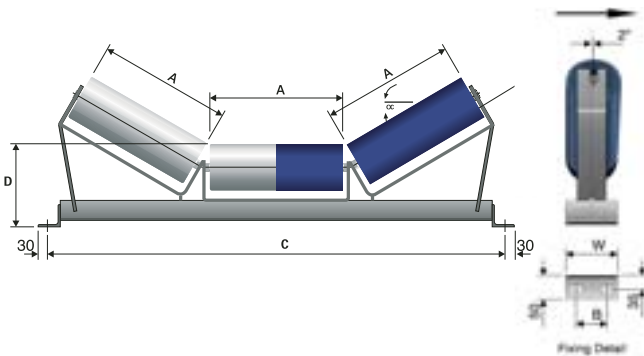


Belt Width	A	B	C. Hole Centres		102mm Dia Ref		127mm Dia Ref	
			Channel	Baseplate	Channel	Baseplate	Channel	Baseplate
mm	mm	mm	mm	mm				
450	203	178	686	305	HDP-D18C	HDP-D180C/B	HDP-E18C	HDP-E18B
500	203	203	737	330	HDP-D20C	HDP-D20C/B	HDP-E20C	HDP-E20B
600	305	203	838	406	HDP-D24C	HDP-D24C/B	HDP-E24C	HDP-E24B
650	356	203	889	483	HDP-D26C	HDP-D26B	HDP-E26C	HDP-E26B
750	356	254	991	485	HDP-D30C	HDP-D30B	HDP-E30C	HDP-E30B
800	406	254	1041	533	HDP-D32C	HDP-D32B	HDP-E32C	HDP-E32B
900	508	254	1143	635	HDP-D36C	HDP-36B	HDP-E36C	HDP-E36B

Fixed angle sets

Angle of side Rollers
20°, 30°, 35°, 45°

Return Idlers



Available in either folded or tubular transome frames
F= Folded T= Tubular

Rollers and Return Rollers in Heavy Duty Polymer.
Also available in Mild Steel.

Belt Width	A	B	C	102mm Dia	
				Ref	H
mm	mm	mm	mm		mm
500	200	75	740	HDP-CDF500	200
600	240	75	840	HDP-CDF600	200
750	295	75	990	HDP-CDF750	200
900	360	75	1140	HDP-CDF900	200
1000	308	75	1240	HDP-CDF1000	200

Belt Width	A	102mm Dia	127mm Dia
mm	mm		
500	584	HDP-CD20	HDP-CE20
600	686	HDP-CD24	HDP-CE24
650	737	HDP-CD26	HDP-CE26
750	838	HDP-CD30	HDP-CE30
800	889	HDP-CD32	HDP-CE32
900	991	HDP-CD36	HDP-CE36

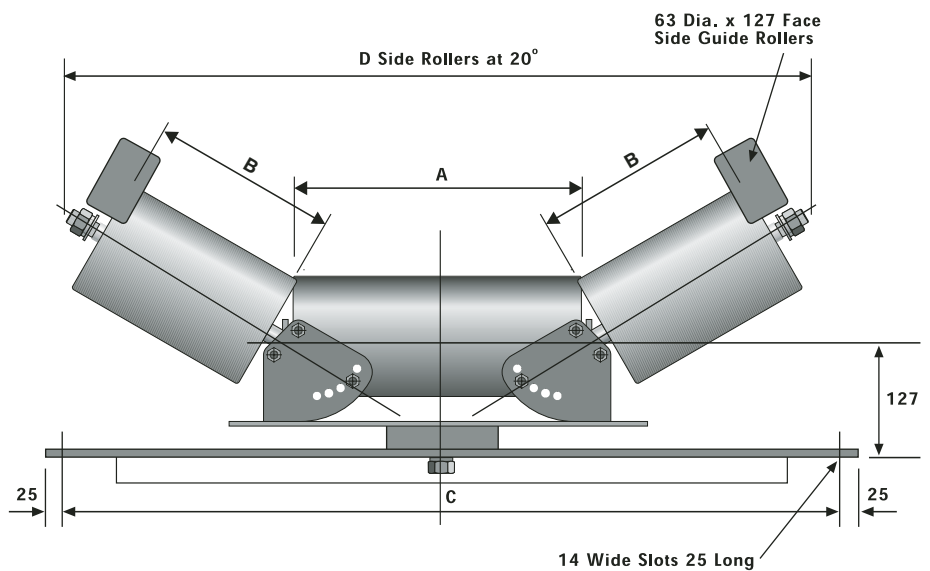
Canning Belt Tracking Disc



- To suit 102mm and 127mm dia rollers
- Easy to install
- Fits standard field conveyor flexing sets and return rollers

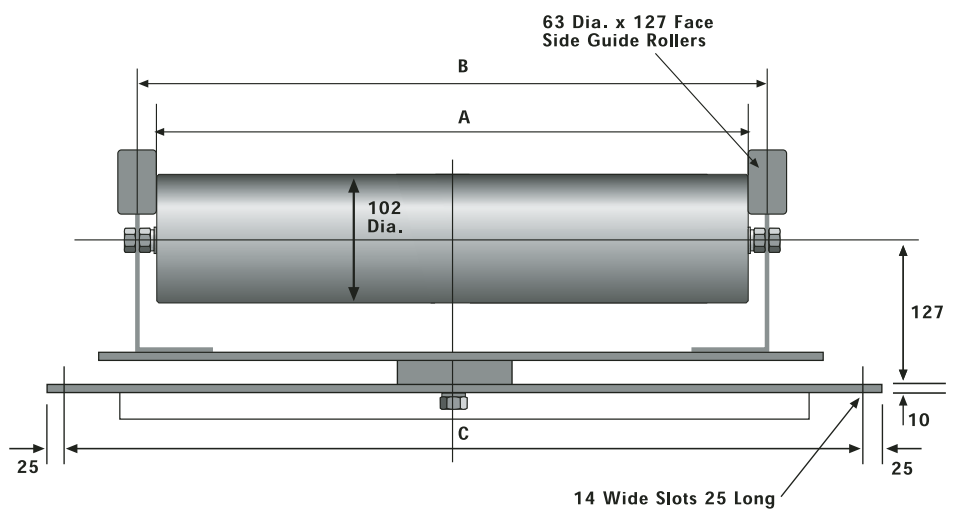
Self Aligning Idlers Sets

Belt Width mm
350
400
450
500
600
650
750
800
900

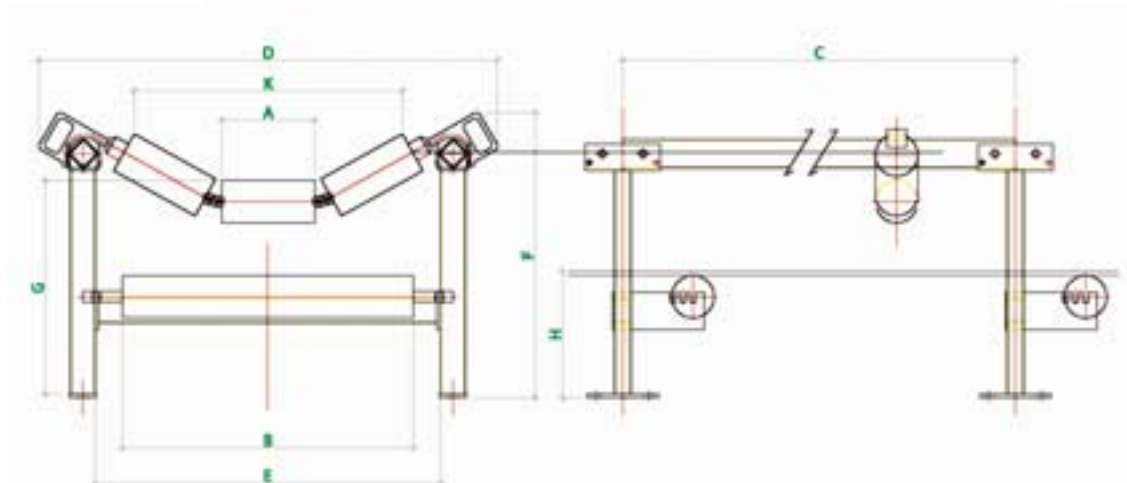


Self Aligning Return Idlers

Belt Width mm
350
400
450
500
600
650
750
800
900



New field conveyor HDP suspended idlers, rollers and steel structures



	A	B	C	D	E	F	G	H	K
600	224	700	3048	1130	830	784	592	304	640
650	240	750	3048	1180	876	784	592	304	700
750	280	900	3048	1284	980	784	592	304	800
800	295	950	3048	1333	1029	784	592	304	850
900	330	1050	3048	1434	1130	784	592	304	950
1000	360	1175	3048	1520	1216	784	592	304	1050

Suspended idlers

- New 'safety handles'
(In HDP polymer or galvanised steel).
Reduced manual handling and trapped finger hazards.
- Easy to install and fit – one man job!
- Lightweight flow friction
- Noise reduction – environmentally friendly!
Up to 8 decibels quieter than steel!
Excellent for locations where noise levels are an issue.
- Non-stick, high density polymer
Polymer rollers don't stick.
- Wear rate - excellent compared with steel! Very durable.
- Power efficiency - reduces power requirements (amps).
- Triple labyrinth seals for longer life.
- 102mm and 127mm diameter rollers.
- 25mm diameter precision bearing and scales.
- 8 Gauge (4.06mm) shell on steel rollers.
- 8mm shell thickness on polymer rollers.

Intermediate structure – new innovative design!

- Robust construction – 60 x 40 RHS.
- Good lateral ground clearance.
- Reduce transport costs-easily stacked/palletised, 60% less space needed!
- Reduced costs of maintenance/installation.
Detachable legs.
Reduced time.
One side of the leg can be replaced without dismantling the conveyor.
- Reduced costs of replacement parts.
Leg in 3 pieces-replacement only when needed.
- Surface finish.
Long lasting.
Powder coated deep brunswick green or galvanised.

order form

for replacement rollers to suit your transome

date		quantity	delivery	order no.
roller dimensions				
A				
B				
C				
D				
		type no.	spindle dimensions	
			E	
			F	
			G	

please contact our office for further order forms if required or visit our website for extra copies



Canning Conveyor

Canning Conveyor Co. Ltd.
Sandy Lane Industrial Estate
Worksop
Nottinghamshire S80 1TN

Telephone 01909 486166

Facsimile 01909 500638

Email sales@canningconveyor.co.uk

Web www.canningconveyor.co.uk

For further

order forms



Please contact

Canning Conveyor
on

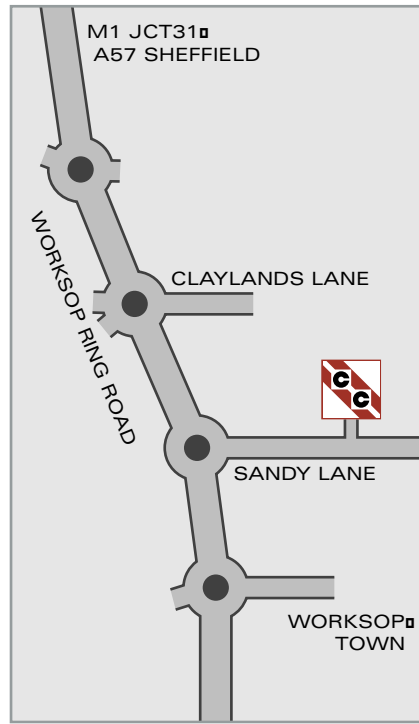
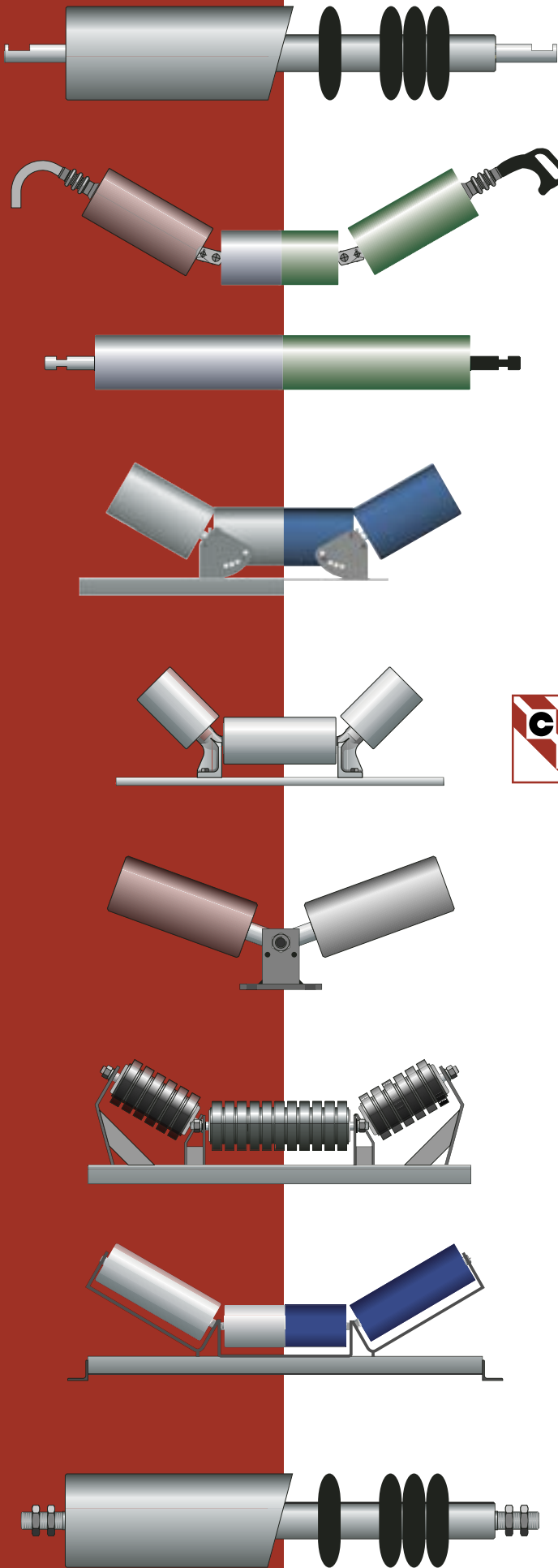
tel 01909 486166

fax 01909 500638

email sales@canningconveyor.co.uk

www.canningconveyor.co.uk

canning conveyor rollers and troughing sets



Canning Conveyor

Canning Conveyor Co. Ltd.
Sandy Lane Industrial Estate
Worksop
Nottinghamshire S80 1TN

Tel 01909 486166

Fax 01909 500638

Email sales@canningconveyor.co.uk

Web www.canningconveyor.co.uk

