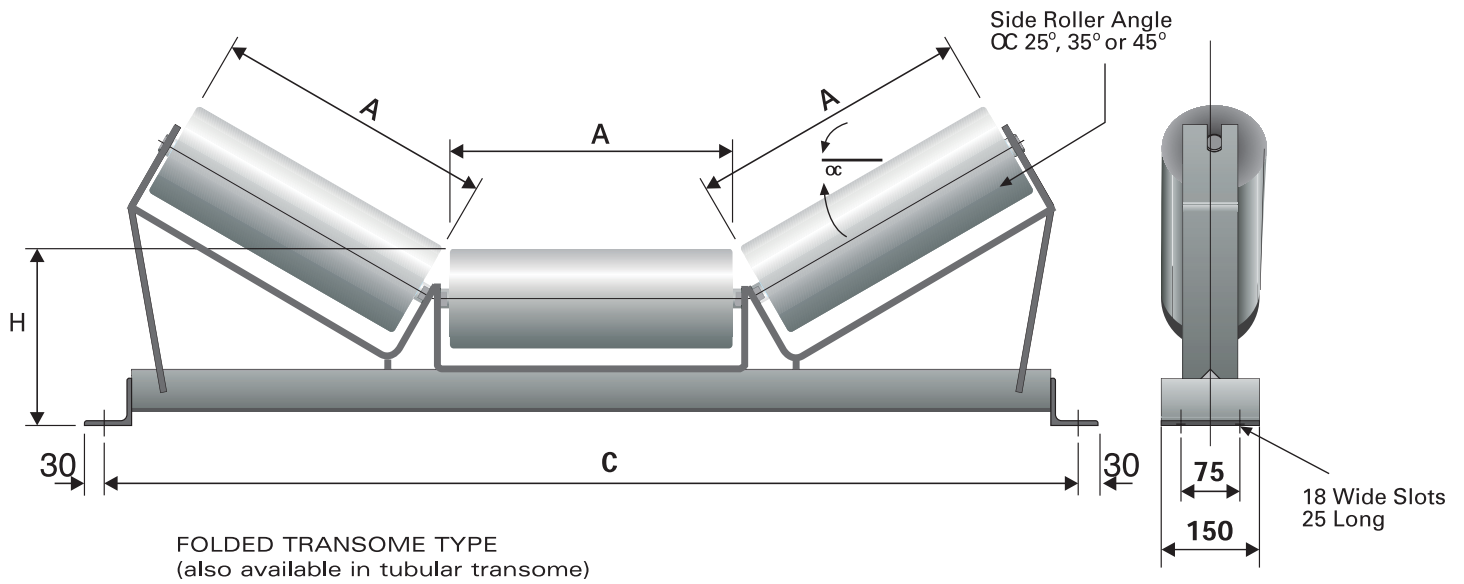


fixed angle 3 roll trough set



Belt Width mm	A mm	B mm	C mm	102mm Dia		127mm Dia		121mm Dia R/C	
				Ref	H mm	Ref	H mm	Ref	H mm
400	160	75	640	CDF400	200	CEF400	225	CRF400	222
500	200	75	740	CDF500	200	CEF500	225	CRF500	222
600	240	75	840	CDF600	200	CEF600	225	CRF600	222
650	250	75	890	CDF650	200	CEF650	225	CRF650	222
750	295	75	990	CDF750	200	CEF750	225	CRF750	222
800	315	75	1040	CDF800	200	CEF800	225	CRF800	222
900	350	75	1140	CDF900	200	CEF900	225	CRF900	222
1000	380	75	1240	CDF1000	200	CEF1000	225	CRF1000	222
1050	410	75	1300	CDF1050	200	CEF1050	225	CRF1050	222
1200	465	100	1450	CDF1200	215	CEF1200	240	CRF1200	237
1350	530	100	1600	CDF1350	215	CEF1350	240	CRF1350	237
1400	530	100	1650	CDF1400	215	CEF1400	240	CRF1400	237
1500	575	100	1800	CDF1500	215	CEF1500	240	CRF1500	237
1600	600	100	1900	CDF1600	215	CEF1600	240	CRF1600	237



Canning Conveyor

Material Handling Solutions

Sandy Lane Industrial Estate Worksop Nottinghamshire S80 1TN

Tel: 01909 486166 Fax: 01909 500638

sales@canningconveyor.co.uk www.canningconveyor.co.uk