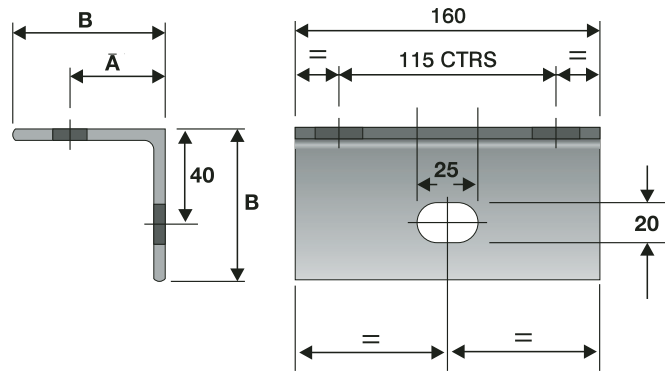


brackets for idlers

Brackets for Idlers

Milled Shafts



Belt Width	A	B	TYPE
mm	mm	mm	
400 UP TO 600	64	90	N1
750 UP TO 1600	40	70	N2



Canning Conveyor
Material Handling Solutions

Sandy Lane Industrial Estate Worksop Nottinghamshire S80 1TN

Tel: 01909 486166 Fax: 01909 500638 sales@canningconveyor.co.uk www.canningconveyor.co.uk