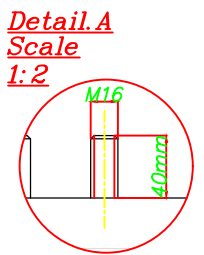
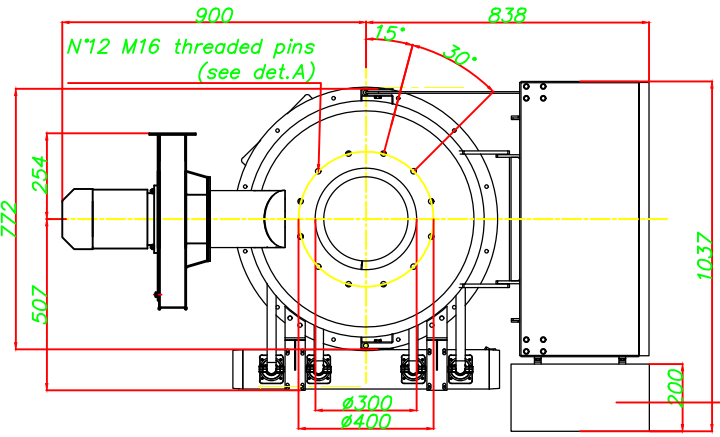
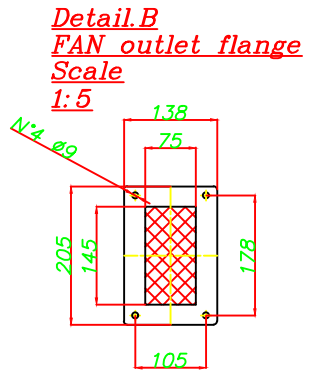
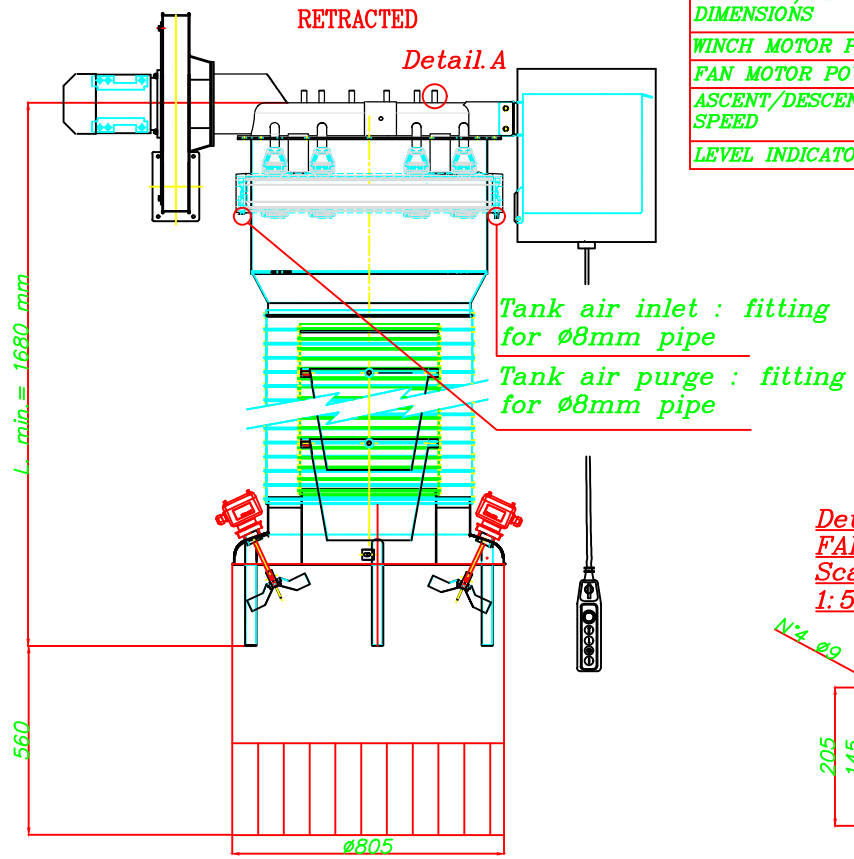
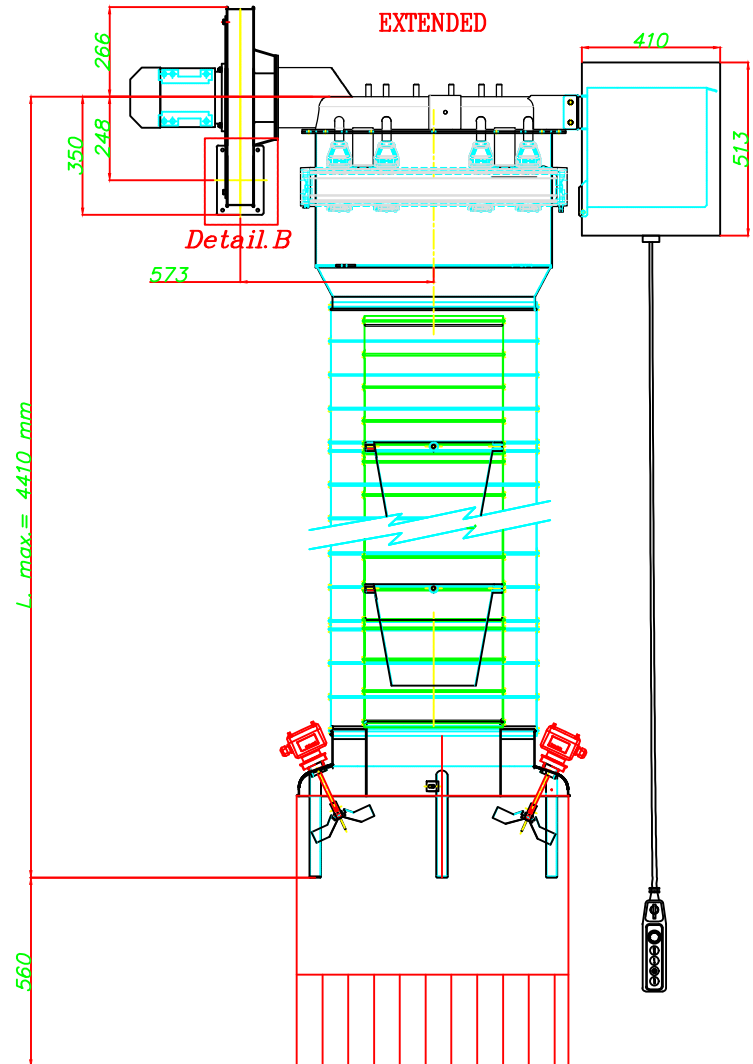


MAIN MACHINE FEATURES	
OVERALL WEIGHT	
EXTENDED/RETRACTED DIMENSIONS	(see user handbook)
WINCH MOTOR POWER	0.55 Kw (4 poles)
FAN MOTOR POWER	2.2 Kw (2 poles)
ASCENT/DESCENT SPEED	3.6 m/min (RETRACTED)
LEVEL INDICATORS	N.2 ROTATING IND.



Electrical panel

	Scale/Scale: 1:10	Formato/Format: A2	Codice/Code: ECMBA30CFG0B2
	Disegnato da/ Designed by: TOREX	Data/ Date: 24.09.15	DESCRIZIONE/DESCRIPTION: LOADING BELLOW FOR OPEN TRUCK
<small>Questo disegno è proprietà TOREX e non può essere trasmesso a terzi senza autorizzazione - Ce document est la propriété de TOREX et ne peut être communiqué sans autorisation - This document belongs to TOREX: it must not be communicated to other people without authorization.</small>			