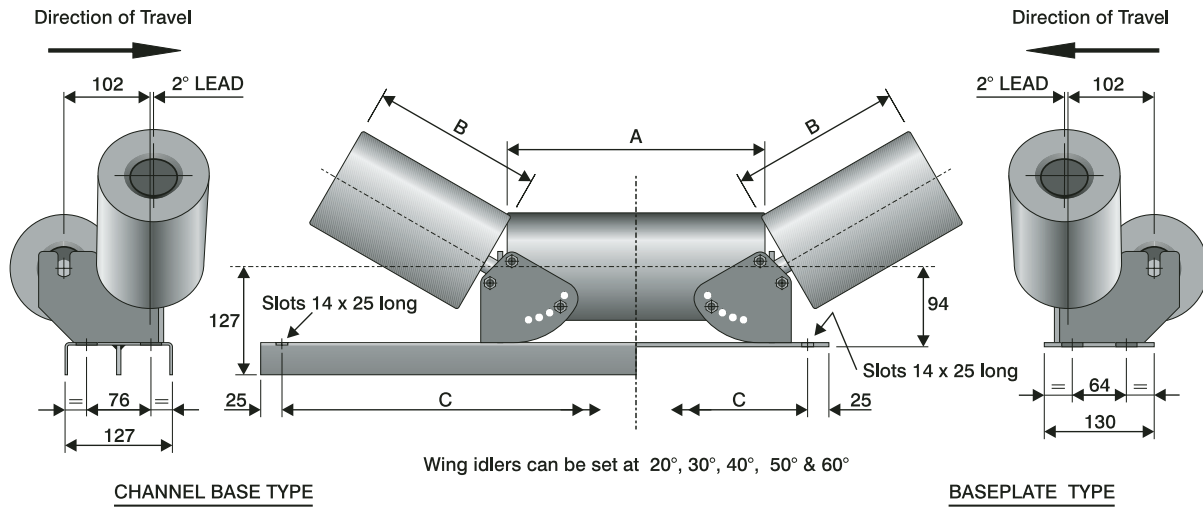


3 roll channel and baseplate set



Belt Width mm	A mm	B mm	C, Hole Centres mm		102mm Dia Ref		127mm Dia Ref		121mm Dia R/C Ref	
			Channel	Baseplate	Channel	Baseplate	Channel	Baseplate	Channel	Baseplate
300	152	127	584	254	D12C	D12B				
350	152	127	584	254	D14C	D14B				
400	152	178	635	305	D16C	D16B	E16C	E16B	R16C	R16B
450	203	178	686	305	D18C	D18B	E18C	E18B	R18C	R18B
500	203	203	737	330	D20C	D20B	E20C	E20B	R20C	R20B
600	305	203	838	406	D24C	D24B	E24C	E24B	R24C	R24B
650	356	203	889	483	D26C	D26B	E26C	E26B	R26C	R26B
750	356	254	991	483	D30C	D30B	E30C	E30B	R30C	R30B
800	406	254	1041	533	D32C	D32B	E32C	E32B	R32C	R32B
900	508	254	1143	635	D36C	D36B	E36C	E36B	R36C	R36B
1000	558	279	1240	685	D40C	D40B	E40C	E40B	R40C	R40B

Below are sizes and references for 4 Roll Variable Angle Sets

1050	305	254	1295	813	D42C	D42B	E42C	E42B	R42C	R42B
1200	406	254	1448	1016	D48C	D48B	E48C	E48B	R48C	R48B
1400	457	254	1600	1118	D54B	E54B	E54C	E54B	R54C	R54B
1500	559	254	1753	1321	D60C	D60B	E60C	E60B	R60C	R60B



Canning Conveyor

Material Handling Solutions

Sandy Lane Industrial Estate Worksop Nottinghamshire S80 1TN

Tel: 01909 486166 Fax: 01909 500638

sales@canningconveyor.co.uk www.canningconveyor.co.uk