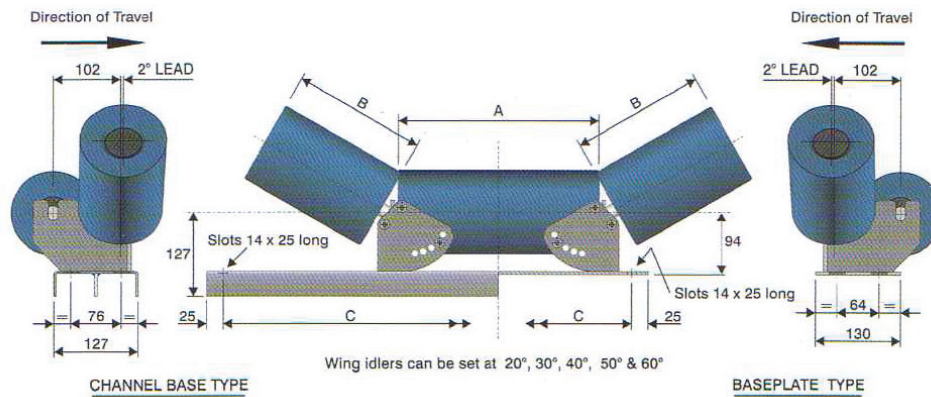


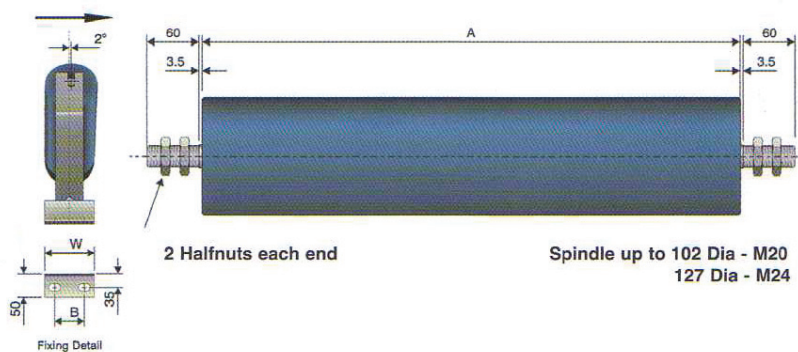
variable angle sets and return rollers

Variable angle sets



Belt Width mm	A mm	B mm	C. Hole Centres mm		102mm Dia Ref		127mm Dia Ref	
			Channel	Baseplate	Channel	Baseplate	Channel	Baseplate
450	203	178	686	305	HDP-D18C	HDP-D18B	HDP-E18C	HDP-E18B
500	203	203	737	330	HDP-D20C	HDP-D20B	HDP-E20C	HDP-E20B
600	305	203	838	406	HDP-D24C	HDP-D24B	HDP-E24C	HDP-E24B
650	356	203	889	483	HDP-D26C	HDP-D26B	HDP-E26C	HDP-E26B
750	356	254	991	485	HDP-D30C	HDP-D30B	HDP-E30C	HDP-E30B
800	406	254	1041	533	HDP-D32C	HDP-D32B	HDP-E32C	HDP-E32B
900	508	254	1143	635	HDP-D36C	HDP-D36B	HDP-E36C	HDP-E36B

Return Idlers



Rollers and Return Rollers in Heavy Duty Polymer. Also available in Mild Steel.

Belt Width mm	A mm	102mm Dia	127mm Dia
500	584	HDP-CD20	HDP-CE20
600	686	HDP-CD24	HDP-CE24
650	737	HDP-CD26	HDP-CE26
750	838	HDP-CD30	HDP-CE30
800	889	HDP-CD32	HDP-CE32
900	991	HDP-CD36	HDP-CE36



Canning Conveyor

Material Handling Solutions

Sandy Lane Industrial Estate Worksop Nottinghamshire S80 1TN

Tel: 01909 486166 Fax: 01909 500638

sales@canningconveyor.co.uk www.canningconveyor.co.uk